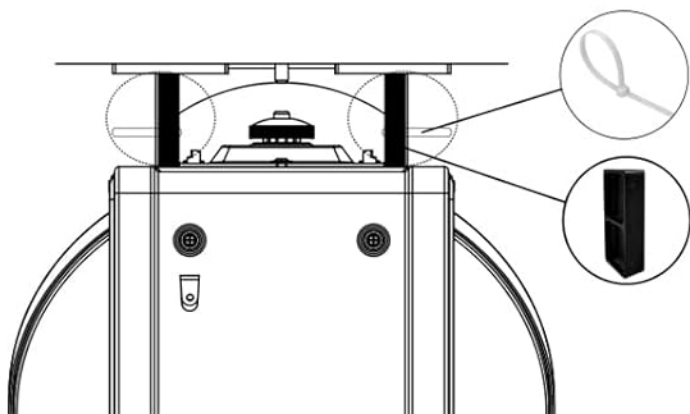


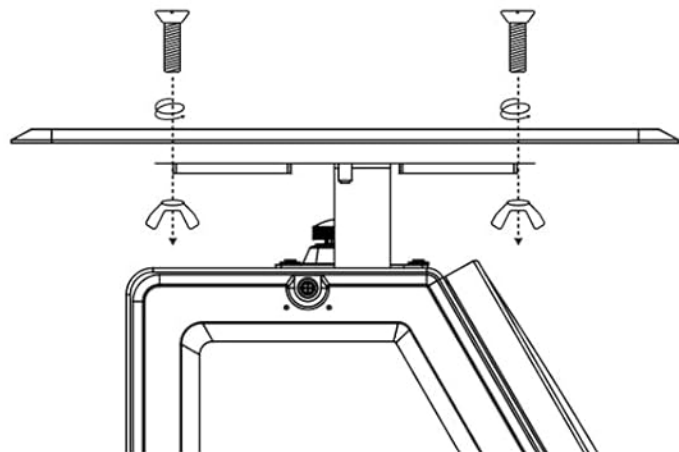
■ FIRST TIME SETUP FOR USAGE

STEP 1



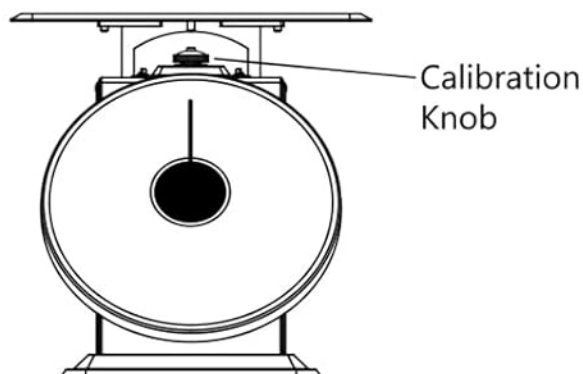
Remove protective packaging: Cut off the white cable zip tie and remove the accompanying black anti-crush strip on both sides. Discard.

STEP 2



Tear off the protective film from the stainless steel plate and place the stainless steel plate on the platform, making sure to line up with the holes in the indented area where the platform has holes. Secure in place with 4 screws and wing nuts.

STEP 3



Place the scale on a hard, level surface. Adjust the calibration knob to make the pointer return to 0